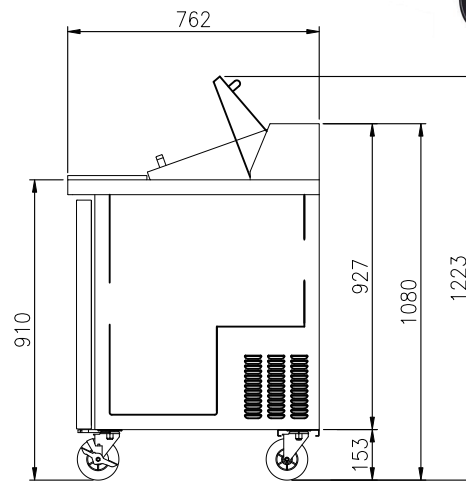
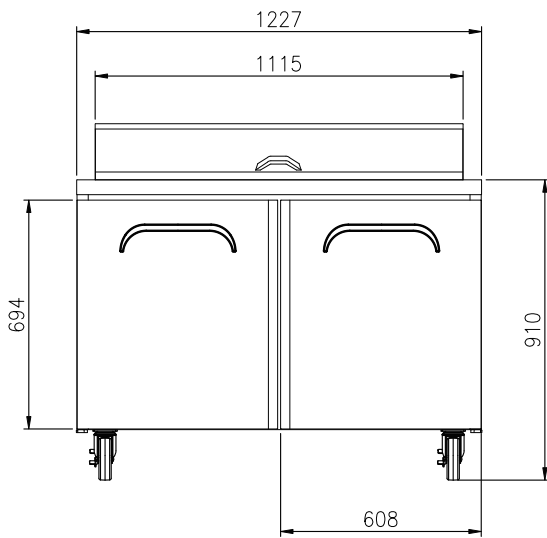
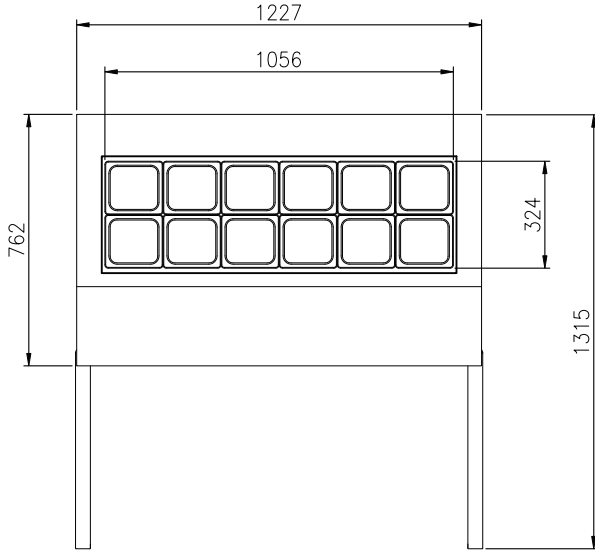


# SALAD & SANDWICH PREP TABLE

## FSU-48



### FEATURES

- Auto-closing doors & stopper
- Stainless steel finished front, sides and doors
- Stainless steel hood lid covers
- Locking dividers
- 244mm reversible cutting board
- PE coated sturdy wire shelves
- Rear-mount compressor for enhanced airflow
- Airflow over the pans
- 5" casters (brakes at front)
- Accommodates 15cm deep pan (\* pans are optional)

### TEMPERATURE

- 0°C ~ 5°C

### OPTIONAL MODELS

- Drawer model (custom-made)
- Drawer mixed model (custom-made)
- 3" or 4" casters

Model	Capacity (ℓ)	Exterior Dimension (mm)			Net Weight (kg)	Gross Weight (kg)	Power Supply	Amps	Voltage (V/Hz/Ø)	Watt	HP	Refrigerant	No. Doors	No. Pans (1/6")
		W	D	H										
FSU-48	346	1,227	762	1,080	106	114	10A	3.2	240/50/1	340	3/8	R-134a	2	12

\* The heights include the caster (153mm)  
 \* Design and specifications subject to change without notice  
 \* Actual shipping weight may differ due to extra packing materials for product protection.