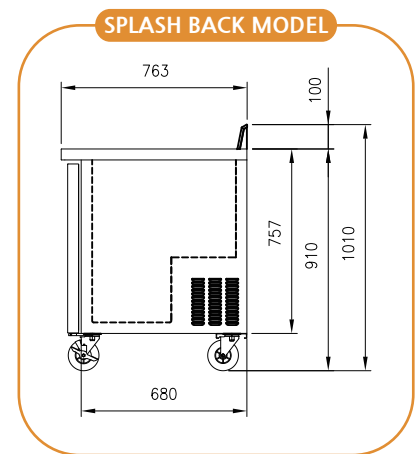
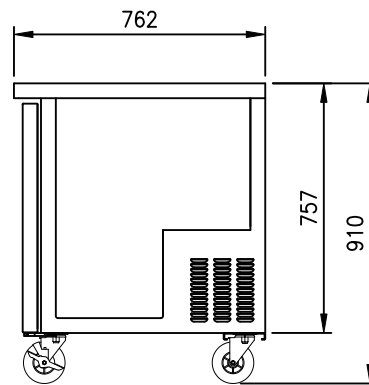
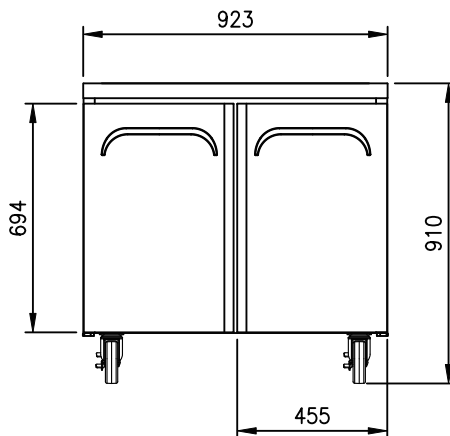
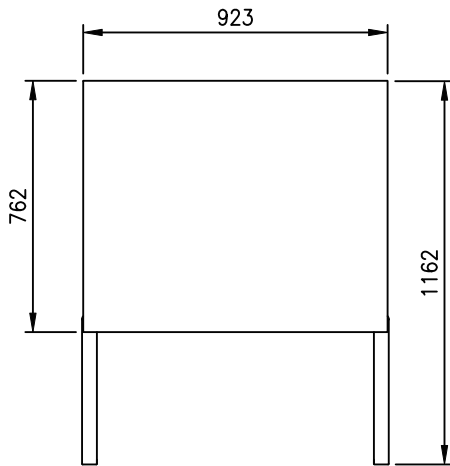


# REAR MOUNT UNDERBENCH

## FUR-36 / FUF-36



### FEATURES

- Auto-closing doors & stopper
- Magnetic door gasket
- Locking dividers
- Stainless steel hood lid covers
- Stainless steel finished top, front, sides and doors
- PE coated sturdy wire shelves
- Rear-mount compressor for enhanced air flow
- 5" casters (brakes at front)
- Accommodates 15cm deep pan
- \* Food pans are NOT included

### TEMPERATURE

- Fridge: 0°C ~ 5°C
- Freezer: -18°C

### OPTIONAL MODELS

- Drawer model
- 3" or 4" casters
- Splash back model (worktop)

Model	Capacity (l)	Exterior Dimension (mm)				Net Weight (kg)	Gross Weight (kg)	PowerSupply	Amps	Voltage (V/Hz/Ø)	Watt	HP	Refrigerant	No. Shelves	No. Door / Drawer
		W	D	H	H**										
FUR-36	252	923	762	910	1,010	77	82	10A	2.0	220/50,60/1	320	1/5	R-134a	2	2
FUF-36	252	923	762	910	1,010	82	87	10A	3.8	240/50/1	640(D:344)	1/2	R-404A	2	2

\* Exterior height includes 5" for caster height.  
 \* Design and specifications subject to change without notice.  
 \* Actual shipping weight may differ due to extra packing materials for product protection.  
 \*\* H: Splash back model