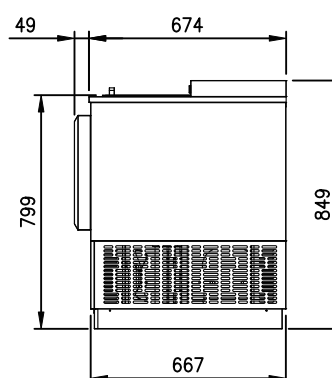
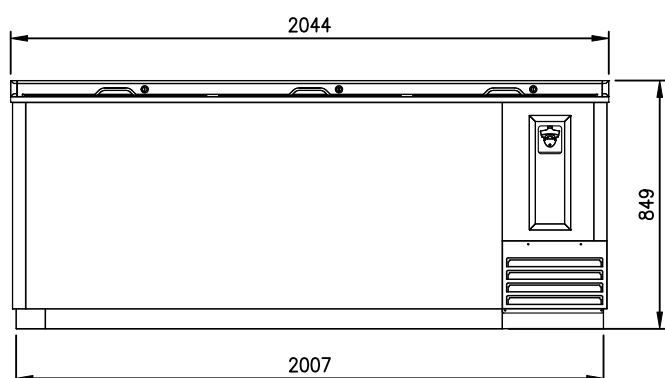
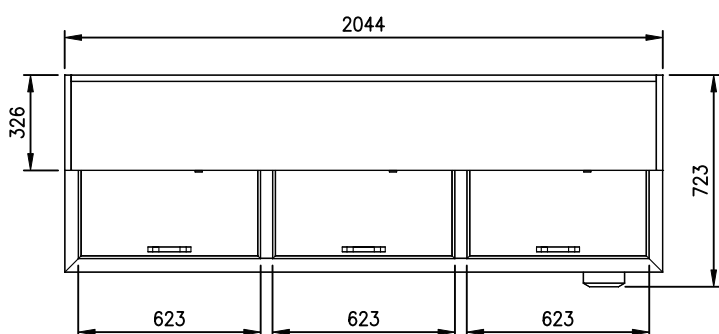


REFRIGERATION

BOTTLE COOLER

FBC-80B


FEATURES

- Door locks standard
- Stainless grip handles
- Cabinet space for bottles and cans
- PE coated ad justable dividers
- Removable bottle cap opener and catcher
- Stainless finished top
- Stainless sliding lids

TEMPERATURE

- 0°C ~ 5°C

OPTIONAL MODELS

- Stainless exterior

Model	Capacity (l)	Exterior Dimension (mm)			Net Weight (kg)	Gross Weight (kg)	Amps	Power Supply	Voltage (V/Hz/Ø)	Watt	HP	Refrigerant	No. Divider	No. Slide
		W	D	H										
FBC-80B	736	2,044	723	849	124	135	3.4	10A	240/50/1	380	3/8	R134a	4	3

* Design and specifications subject to change without notice

* Actual shipping weight may differ due to extra packing materials for product protection.