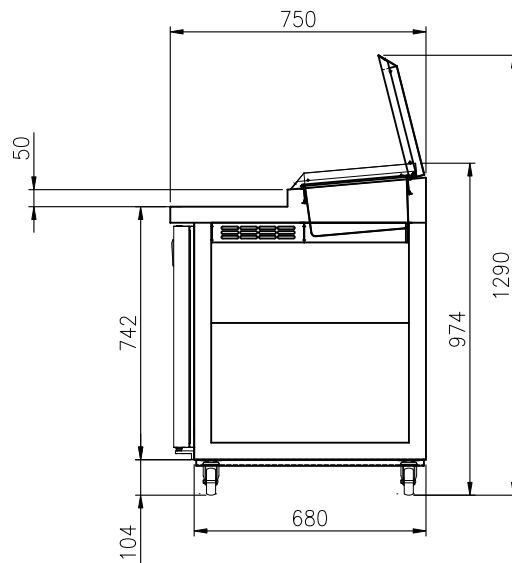
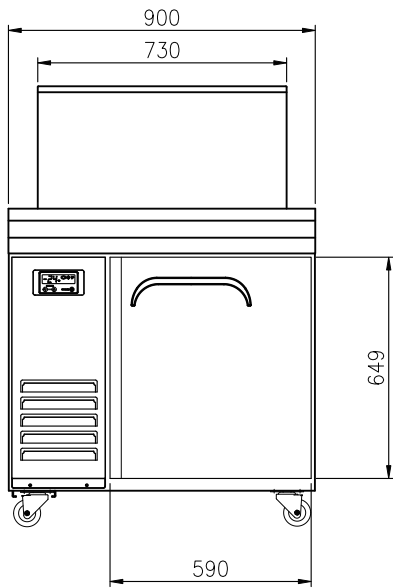
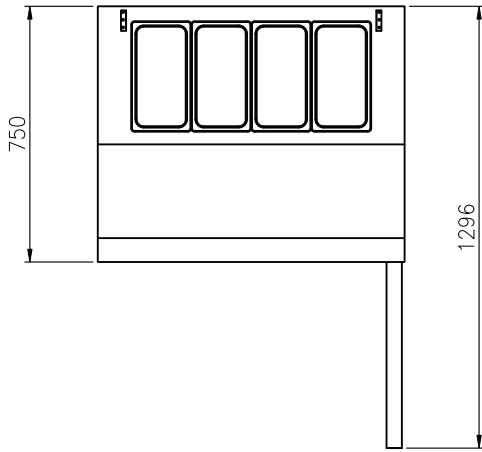


NARROW PIZZA PREP TABLE

FTT-900



FEATURES

- Auto-closing doors & stopper
- Magnetic door gasket
- Stainless steel hood lid covers
- Locking dividers
- 344mm reversible cutting board
- PVC coated sturdy wire shelves
- 3" casters (brakes at front)
- Accommodates 15cm deep pan (pans are optional)
- Stainless steel finished top, front, sides and doors
- Stainless hoodlid cover

TEMPERATURE

0°C ~ 5°C

OPTIONAL MODELS

- Leg model available
- 4" or 5" casters

Model	Capacity (ℓ)	Exterior Dimension (mm)			Net Weight (kg)	Gross Weight (kg)	Power Supply	Amps	Voltage (V/Hz/Ø)	Watt	HP	Refrigerant	No. Door	No. Pans (1/3")
		W	D	H										
FTT-900	200	900	750	974	75	86	10A	2.0	240/50/1	340	1/3	R-134a	1	4

* The heights include the 3" caster (104mm)
 * Design and specifications subject to change without notice
 * Actual shipping weight may differ due to extra packing materials for product protection.