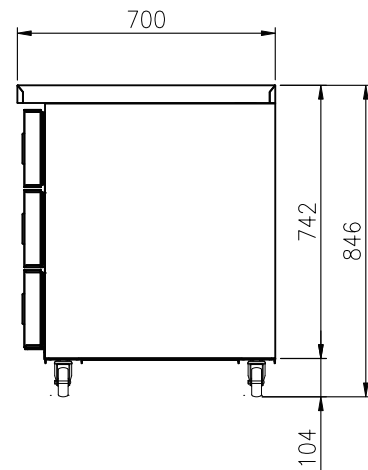
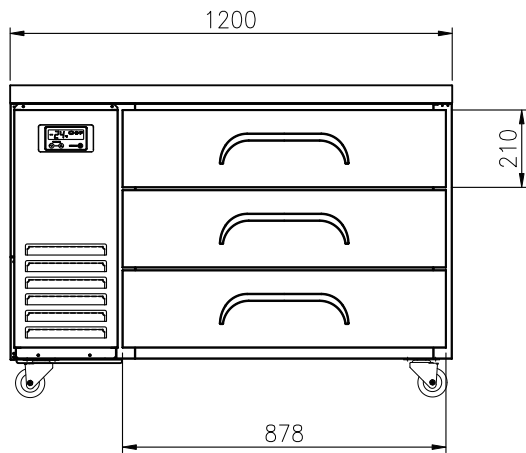
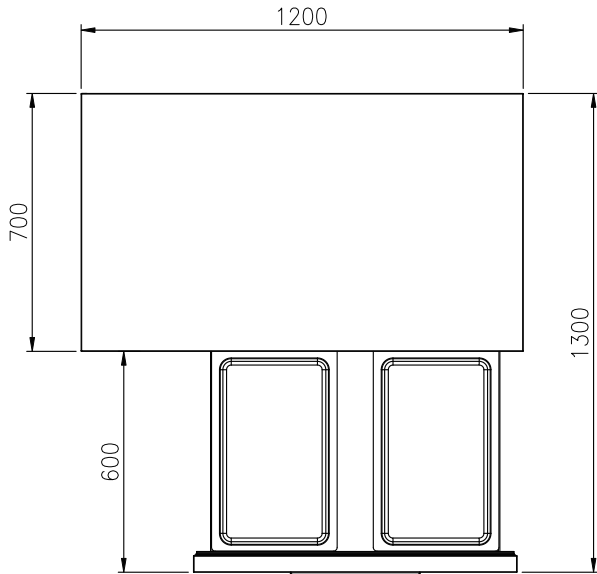


UNDERBENCH

3 DRAWER MODEL

FDU-1200



FEATURES

- Digital temperature control & monitor system
- 3" casters (brakes at front)
- Fully stainless steel finished cabinet
- PE coated sturdy wire shelves
- Auto-closing doors & stopper
- Door pressure release device
- Magnetic door gasket

Drawer Model

- Telescoping drawer slide
- Drawer can hold up to 30kg
- Accommodates 15cm deep pan (* pans are optional)

TEMPERATURE

- Fridge: 0°C ~ 5°C
- Freezer: -18°C

OPTIONAL MODELS

- Leg model
- 4" or 5" casters

| Model | Capacity (ℓ) | Exterior Dimension (mm) | | | Net Weight (kg) | Gross Weight (kg) | Power Supply | Amps | Voltage (V/Hz/Ø) | Watt | HP | Refrigerant | No. Doors | No. Pans (1/1") |
|----------|--------------|-------------------------|-----|-----|-----------------|-------------------|--------------|------|------------------|------|-----|-------------|-----------|-----------------|
| | | W | D | H | | | | | | | | | | |
| FDU-1200 | 286 | 1,200 | 700 | 845 | 96 | 103 | 10A | 1.8 | 240/50/1 | 320 | 1/5 | R-134a | 3 | 6 |

* The heights include the caster (104mm) * D: Defrost
 * Design and specifications subject to change without notice
 * Actual shipping weight may differ due to extra packing materials for product protection.