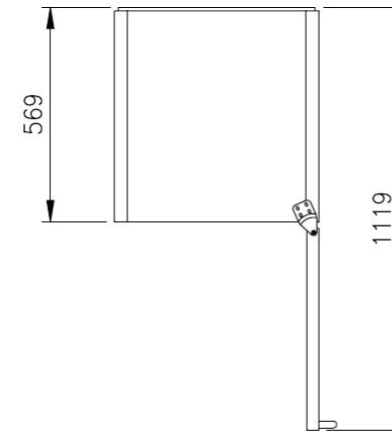


# COUNTERTOP FRIDGE



FCT-17RS



GLASS SIDE MODEL

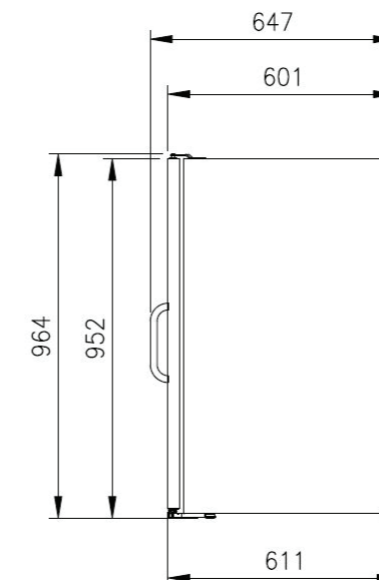
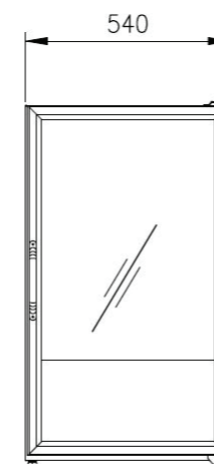


FCT-17RG

WHITE MODEL

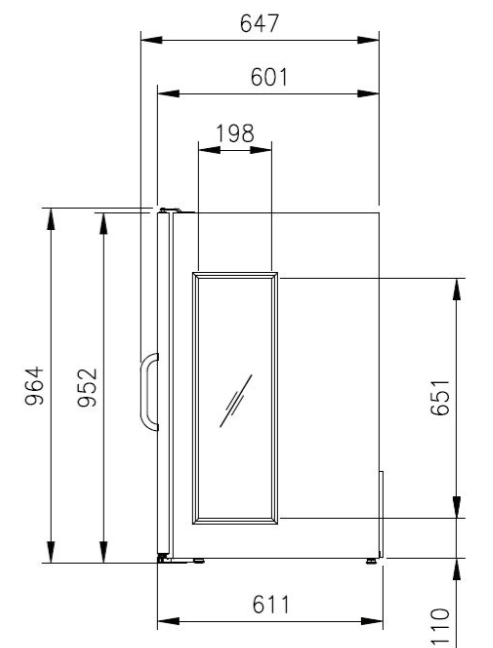


FCT-17RSW



FCT-17RS / FCT-17RSW

GLASS SIDE MODEL



FCT-17RG

FEATURES

- LED lights
- Stainless grip handles
- Cabinet space for bottles and cans
- PE coated sturdy wire shelves

<Options>

- Door locks
- Lighted sign panel

<Glass side model>

- Tempered glass side

TEMPERATURE

-0°C~5°C

OPTIONAL MODELS

- Glass side model
- White model

Model	Capacity (l)	Exterior Dimension (mm)			Net Weight (kg)	Amps	Power Supply	Watt	HP	Refrigerant	No. Door
		W	D	H							
FCT-17RS/RG	170	540	647	964	58	1.5	10A	320	1/5	R-134a	1