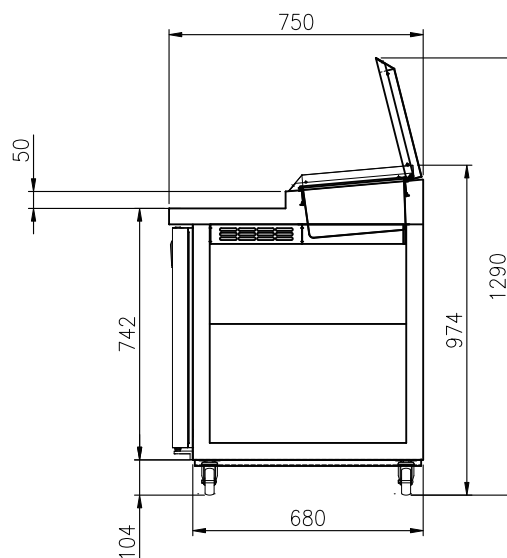
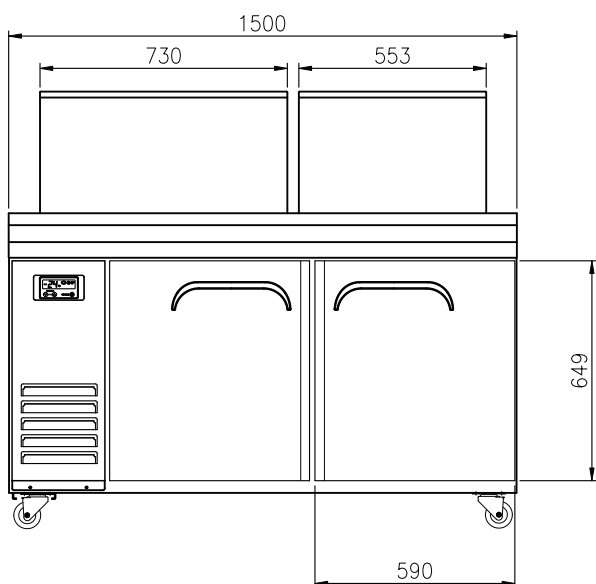
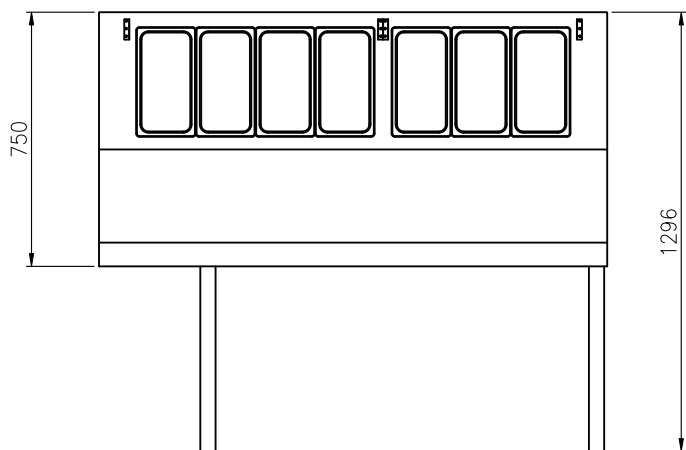


# NARROW PIZZA PREP TABLE

## FTT-1500



### FEATURES

- Auto-closing doors & stopper
- Magnetic door gasket
- Stainless steel hood lid covers
- Locking dividers
- 344mm reversible cutting board
- PVC coated sturdy wire shelves
- 3" casters (brakes at front)
- Accommodates 15cm deep pan (pans are optional)
- Stainless steel finished top, front, sides and doors
- Stainless hoodlid cover

### TEMPERATURE

0°C ~ 5°C

### OPTIONAL MODELS

- Leg model available
- 4" or 5" casters

Model	Capacity (l)	Exterior Dimension (mm)			Net Weight (kg)	Gross Weight (kg)	Power Supply	Amps	Voltage (V/Hz/Ø)	Watt	HP	Refrigerant	No. Door	No. Pans (1/3")
		W	D	H										
FTT-1500	412	1,500	750	974	100	115	10A	2.0	240/50/1	340	1/3	R-134a	2	7

\* The heights include the 3" caster (104mm)  
 \* Design and specifications subject to change without notice  
 \* Actual shipping weight may differ due to extra packing materials for product protection.